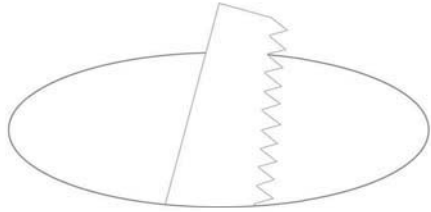


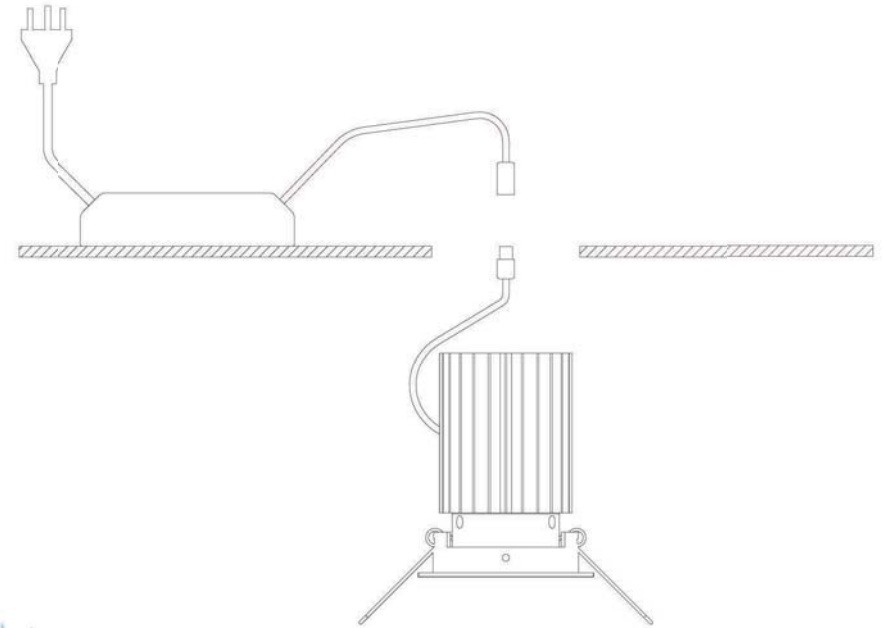
installation

instructions

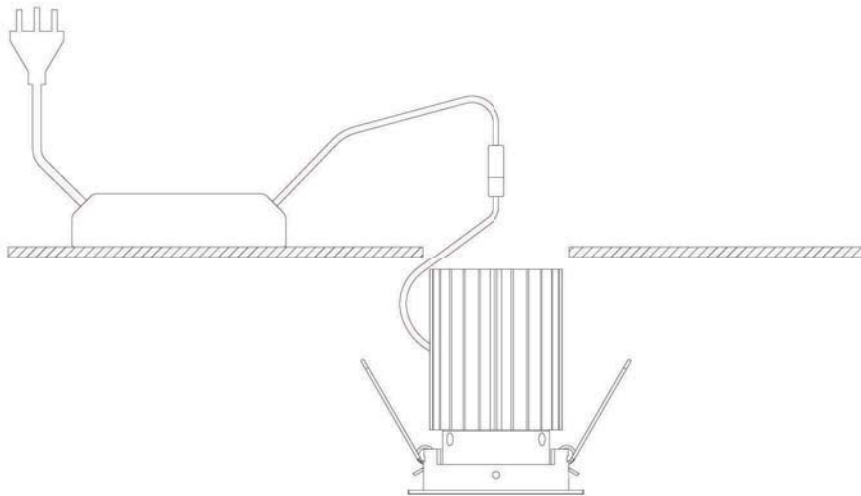
1. Hole cut out - 75mm



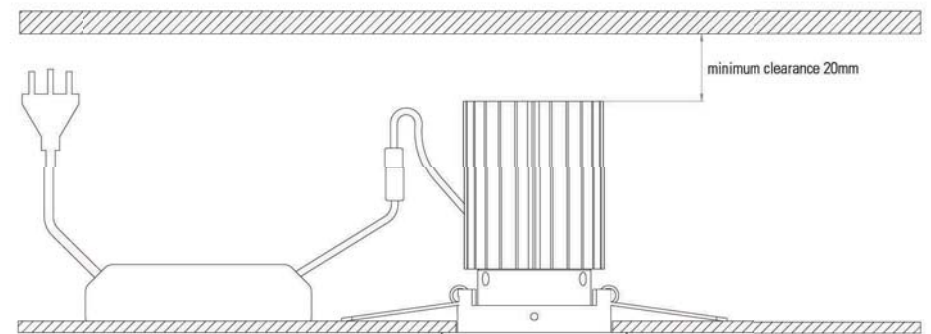
2. Mount driver & connect Plug+Go connectors



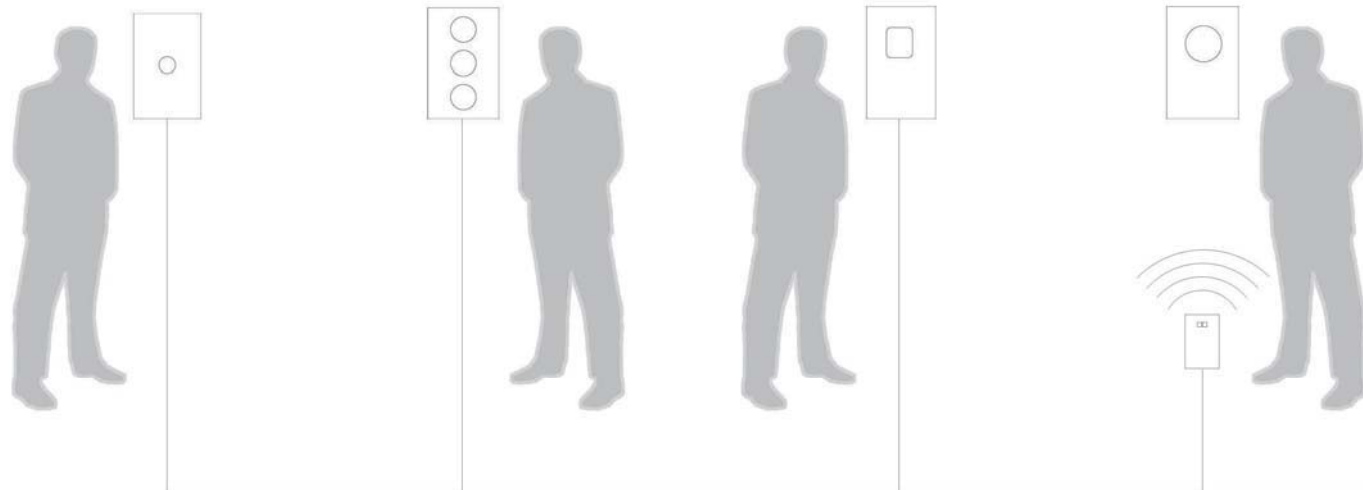
3. Insert fixture into cut out



4. Installation complete.
Connect to power source



wiring configuration

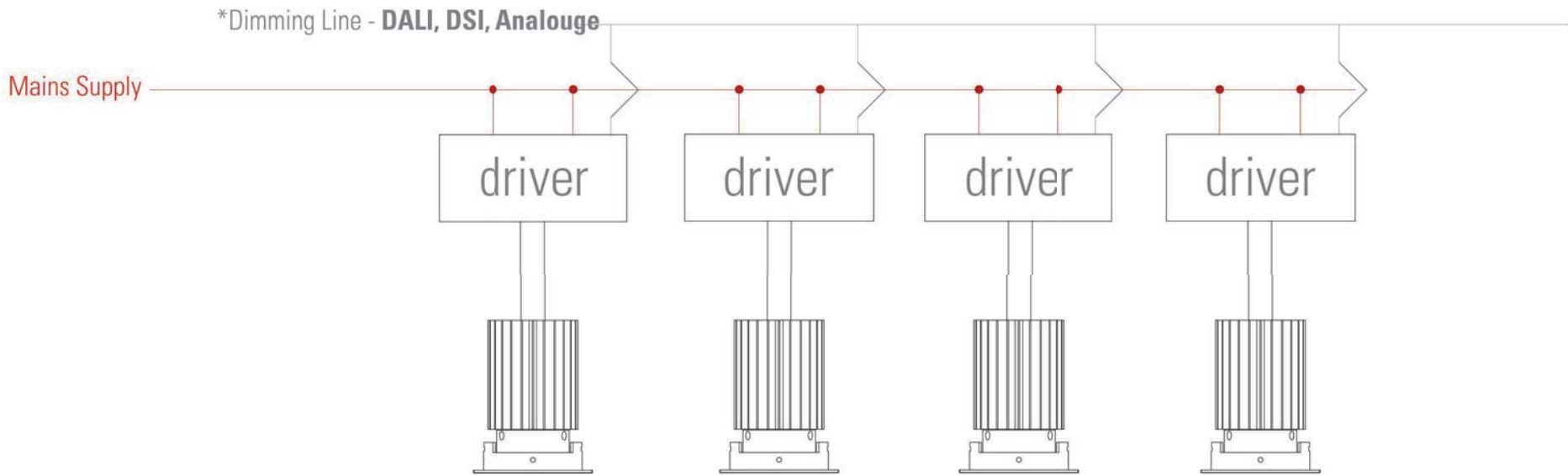


1-10v
Rotary
Dimmer

Touch/Switch
Dim

Automated
Control System

Remote
Control



*Dimming Line - **DALI, DSI, Analogue**

Mains Supply

driver

driver

driver

driver

*Contact Intralux for further details